

The machine is installed with an automatic bobbin-thread winding and feeding device (AW-3) suited to the sewing of large products such as car seats, airbags, etc. as an option.

AMS-224EN4530R

Sewing area 450mm (X) x 300mm (Y)

Computer-controlled Cycle Machine with Input Function (Rotary hook type)

AMS-224EN4530R/AW-3

Sewing area 450mm (X) x 300mm (Y)

Computer-controlled Cycle Machine with Input Function (Rotary hook type / With Automatic bobbin-thread winding and feeding device)

AMS-224EN6030R/AW-3

Sewing area 600mm (X) x 300mm (Y)

Computer-controlled Cycle Machine with Input Function (Rotary hook type / With Automatic bobbin-thread winding and feeding device)



AMS-224ENHS4530RSW (with AW-3)

AW-3 Automatic bobbin-thread winding and feeding device **OPTIONS**

With its increased productivity, this sewing machine responds to diversified materials and stitches.

In the case of sewing large articles, etc, a large quantity of bobbin thread is consumed during sewing of one article. This means that replacement of bobbin frequently occurs. Since the AW-3 changes the bobbin automatically before the bobbin-thread runs out and bobbin-thread is wound during sewing, the operator is able to concentrate on sewing without worrying about shortage of bobbin thread.

In addition, only two bobbin cases are required for sewing. As a result, burdensome control of bobbin thread tension and bobbin-changing work are no longer required, thereby contributing to increased productivity.



Automatic bobbin-thread winding and feeding unit



Constant-quantity bobbin thread feeding mechanism



Rotary hook

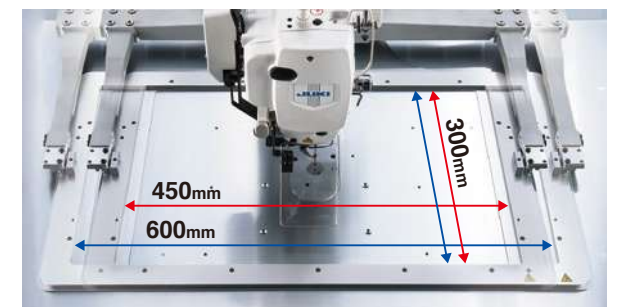
In addition to the shuttle hook type model which is favorably accepted by users, the rotary hook type model is newly developed. The rotary hook contributes to the achievement of beautifully-finished seams which are required for bags and leather products. In addition, inner hook stopper is adjustable not only laterally but also longitudinally, thereby enabling accurate positioning of the bobbin case according to the needle count.



Sewing area

The cycle machine, which has a wider sewing area, achieves an improved seam quality, increased productivity and easier operation.

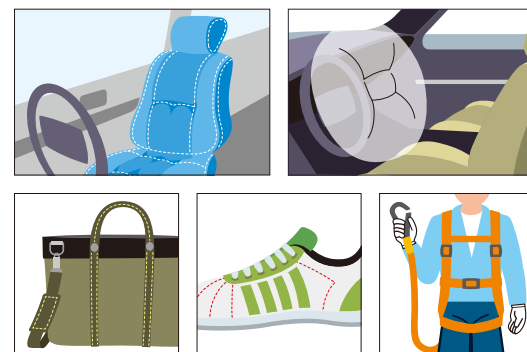
The machine not only achieves higher productivity due to instantaneous increases/decreases in sewing speed at the beginning/end of sewing and increased speed of thread trimming, but also achieves a flexible responsiveness to materials to promise enhanced seam quality due to JUKI's unique active tension and programmable intermediate presser.



— AMS-224EN4530R — AMS-224EN6030R

Major applications

This sewing machine provides a wider sewing area for sewing automotive interior parts (such as car seats and air bags), attaching handles and belts to bags, sewing two or more small parts at the same time, attaching parts to shoes and sports shoes (in pairs), and sewing full-harness-type safety belts, thereby supporting a broader range of applications.



VIET LE CO., LTD.
Sewing & Textile machines and Parts
HOTLINE: 0982.085.899